



FUR INSTITUTE OF CANADA  
INSTITUT DE LA FOURRURE  
DU CANADA



## **TRAP CERTIFICATION**

INTERNATIONAL HUMANE TRAPPING STANDARDS

**PROCEDURES AND PROTOCOLS**  
IMPLEMENTATION BY  
CANADIAN COMPETENT AUTHORITIES

MAY 1, 2024



FUR INSTITUTE OF CANADA

INSTITUT DE LA FOURRURE  
DU CANADA

Published under the authority of the **Canadian Wildlife Directors Committee.**

All rights reserved. The content of this publication may not be reproduced or transmitted in any form or by any means without the prior written permission of the Fur Institute of Canada.

**ISMN: 978-0-9694537-5-8**

**Periodicity: annual**

This publication was produced under the direction of:

**Pierre Canac-Marquis**

Canadian Trap Research and Certification Program Coordinator, Fur Institute of Canada

# TABLE OF CONTENTS

## CHAPTER 1. TRAP CERTIFICATION PROCEDURES AND PROTOCOLS

<b>1.1 Subject</b> .....	<b>5</b>
<b>1.2 Canadian recognition</b> .....	<b>5</b>
<b>1.3 Operation</b> .....	<b>5</b>
1.3.1 Role of the Fur Institute of Canada .....	5
1.3.2 Role of the competent authority .....	5
1.3.3 Role of the testing firm .....	6
<b>1.4 Application for recognition of compliance</b> .....	<b>6</b>
<b>1.5 Issuance of the compliance certificate</b> .....	<b>6</b>
1.5.1 Trap certification costs .....	6
1.5.2 Mark of compliance .....	6
1.5.3 Certification identification code .....	6
1.5.4 List of certified traps .....	7
<b>1.6 Confidentiality</b> .....	<b>7</b>
<b>1.7 Example of Compliance Certificate</b> .....	<b>8</b>

## CHAPTER 2. KILLING TRAP CERTIFICATION

<b>2.1 Definitions</b> .....	<b>9</b>
<b>2.2 Requirements</b> .....	<b>9</b>
2.2.1 After a compound test .....	9
2.2.2 After a mechanical assessment test .....	9
2.2.3 After an assessment test based on the use of a computer modeling program.....	9
2.2.4 After an assessment test based on the use of a scientifically credible method.....	9
2.2.5 For Marten species ( <i>Martes americana, martes, zibelina</i> ) .....	9
2.2.6 Trap use safety .....	10
2.2.7 Capture efficiency .....	10
2.2.8 Retesting .....	10
<b>2.3 Thresholds</b> .....	<b>10</b>
2.3.1 Time limits to irreversible loss of corneal and palpebral reflexes by species.....	10
<b>2.4 Tests</b> .....	<b>10</b>
2.4.1 Test personnel.....	10
2.4.2 Tests with live animals .....	10
2.4.3 Mechanical performance test.....	12
2.4.4 Test using the computer simulation model .....	13
<b>2.5 Inspection and testing for user safety of traps</b> .....	<b>14</b>

2.5.1 Principle.....	14
2.5.2 Procedure.....	14
<b>2.6 Marking and instructions .....</b>	<b>14</b>
<b>2.7 Contents of the assessment report.....</b>	<b>14</b>
 <b>CHAPTER 3. RESTRAINING TRAP CERTIFICATION</b>	
<b>3.1 Definitions .....</b>	<b>16</b>
<b>3.2 Requirements .....</b>	<b>16</b>
3.2.1 After the field test .....	16
3.2.2 For live capture cage traps after a trap components assessment test .....	16
3.2.3 Trap use safety.....	16
3.2.4 After an examination of mechanical components.....	16
3.2.5 Capture efficiency.....	16
3.2.6 After an assessment test based on the use of scientifically credible method .....	16
3.2.7 Retesting .....	16
<b>3.3 Indicators .....</b>	<b>17</b>
<b>3.4 Trap Component Measurements.....</b>	<b>18</b>
<b>3.5 Field testing .....</b>	<b>19</b>
3.5.1 Principles.....	19
3.5.2 Test personnel.....	19
3.5.3 Trap preparation.....	19
3.5.4 Procedure.....	19
3.5.5 Trapping method description .....	19
<b>3.6 Post-mortem evaluation of trapped animals.....</b>	<b>19</b>
3.6.1 Principle.....	19
3.6.2 Post-mortem evaluation .....	20
<b>3.7 AIHTS Rating based on comparison of mechanical characteristics .....</b>	<b>20</b>
<b>3.8 Inspection and testing for user safety of traps.....</b>	<b>23</b>
3.8.1 Principle.....	23
3.8.2 Procedure.....	23
<b>3.9 Marking and instructions .....</b>	<b>24</b>
<b>3.10 Content of the assessment report.....</b>	<b>24</b>
<b>Annex 1, Daily Trap Visit .....</b>	<b>25</b>
<b>Annex 2, Capture Data Sheet.....</b>	<b>27</b>
<b>Annex 3, Restraining Trap Necropsy Summary Sheet .....</b>	<b>30</b>
<b>Annex 4, List of Competent Authorities Who Have Accepted This Program .....</b>	<b>34</b>

# CHAPTER 1

## TRAP CERTIFICATION PROCEDURES AND PROTOCOL

---

### 1.1. SUBJECT

The purpose of this document is to define the certification process relating to the terms and implementation of the Agreement on International Humane Trapping Standards (AIHTS), as ratified by Canada in June 1999 and concluded with the European Union and Russia.

Therefore, it is intended for manufacturers, distributors and inventors who wish to have their traps certified pursuant to these standards.

The International Humane Trapping Standards provided in this protocol are also used by the Canadian competent authorities (Appendix 4) to certify traps to be used for furbearer species not listed in the Agreement on International Humane Trapping Standards.

This certification system is based on the terms of the Agreement on International Humane Trapping Standards between Canada, Russia and the European Union, December 1997. It also refers to the International Organization for Standardisation (ISO), Animal Traps mammals, Parts 4 and 5, ISO TC/191. All rules and procedures are established and approved by the Canadian competent authorities involved. The Canadian Furbearer Management Committee, a sub-committee to the Canadian Wildlife Directors, consists of representatives of the primary competent authorities in Canada.

### 1.2. CANADIAN RECOGNITION

The competent authorities having jurisdiction in Canada mutually recognize trap certification between each other in accordance with this procedure, and permit the use of those certified traps. When a trap is certified by one of the Canadian competent authorities, it shall so advise all the other authorities.

### 1.3 OPERATION

#### 1.3.1 Role of the Fur Institute of Canada

- the primary coordinating body for the testing of trapping devices in Canada
- the repository of certification records for these traps
- manage AIHTS trap certification requests from competent authorities and manufacturers, and file follow-up
- receive the report prepared by the test firm(s) and assess it in light of the prescribed requirements and thresholds
- prepare all necessary AIHTS trap certification correspondence and documents between the FIC, the trap manufacturer and competent authorities
- may issue a compliance certificate under the direction of a competent authority (see 1.3.2 )
- regularly publish a list of traps recognized as certified in accordance with the International Humane Trapping Standards.

#### 1.3.2 Role of the competent authority

- manage certification requests and file follow-up
- receive the report prepared by the test firm(s) and assess it in light of the prescribed requirements and thresholds
- authorize the use of official certification identification code for the certified trap
- issue a compliance certificate and, in the case of killing traps, specify to the trap manufacturer the optimal strike location(s) for the target species.
- regularly publish a list of traps recognized as certified in accordance with the Standards.

Further, the chair of the Canadian Furbearer Management Committee shall be advised of the formal AIHTS trap certification approval of a device against the Standards by the FIC.

### **1.3.3 Role of the testing firm**

The testing firm whose personnel is recognized by the competent authority as having the skills described in the Standards, shall have the required equipment, and perform the tests in accordance with the established procedure. It shall prepare an assessment report for the competent authority in accordance with the specifications listed in the Standards and ensure file follow-up for its client. The firm must provide the competent authority with assurance that there are no conflicts of interest with its client.

## **1.4. APPLICATION FOR RECOGNITION OF COMPLIANCE**

The applicant must send to the competent authority or the Fur Institute, as applicable, a sample of the trap to be tested along with the request for testing. In order to proceed with the trap conformity evaluation, he will then be sent a list of tests to be performed that reflect the type of trap submitted and of recommended testing firms. Changes to these lists may not be made without the competent authority's approval.

The full designation must include the trademark and the model number and/or name of the product. If the manufacturer submits several products, each must have its own designation to prevent confusion.

The applicant shall pay all the direct costs to the testing agency of preparing the final assessment report (Chapter 2, item 2.7 and Chapter 3, item 3.9).

## **1.5. ISSUANCE OF THE COMPLIANCE CERTIFICATE**

The competent authority shall issue the compliance certificate once it is shown that all the requirements of the certification program have been met. A sample of the certificate of compliance is provided on page 7.

### **1.5.1 Trap Certification Costs**

The competent authority will determine the trap certification costs.

### **1.5.2 Mark of compliance**

A manufacturer who has a current compliance certificate from the competent authority shall affix to its certified products the certification identification code reserved exclusively for that product, described in the compliance certificate.

### **1.5.3 Certification identification code**

The certification identification code determines a trap's compliance with the relevant Standards for one or more target species.

The certification identification code shall be permanently affixed to the certified trap and its instructions for use.

Traps shall be marked legibly and permanently with the manufacturer's and/or distributor's name, symbol or trademark, and certification identification code. The marking place and method are left to the manufacturer's discretion.

The competent authority shall monitor the use of the certification identification code. They must only be used to indicate compliance by the products for which a compliance certificate has been issued. Any other use not approved in writing by the competent authority may result in legal proceedings.

The certificate identification codes shall always include the following information, in this order:

- Initial of the competent authority (1 capital letter);

- Initial of the corresponding species (1 capital letter);
- Initial or number corresponding to the sequential number of certified traps for the target species by the same competent authority.

Corresponding initial for each competent authority

Alberta	<b>A</b>	New Brunswick	<b>B</b>	Nova Scotia	<b>V</b>	Prince Edward Island	<b>P</b>	Yukon	<b>Y</b>
British Columbia	<b>C</b>	Newfoundland	<b>F</b>	Nunavut	<b>N</b>	Québec	<b>Q</b>		
Manitoba	<b>M</b>	Northwest Territories	<b>T</b>	Ontario	<b>O</b>	Saskatchewan	<b>S</b>		

Corresponding initial for each species:

<b>Code</b>	<b>AIHTS Species</b>
<b>B</b>	Badger
<b>C</b>	Beaver
<b>Y</b>	Coyote
<b>E</b>	Ermine
<b>W</b>	Wolf
<b>O</b>	Otter
<b>L</b>	Lynx
<b>D</b>	Bobcat
<b>M</b>	Marten ( <i>Martes americana</i> , <i>Martes martes</i> )
<b>P</b>	Fisher
<b>A</b>	Muskrat
<b>R</b>	Raccoon
<b>Z</b>	Sable ( <i>Martes zibellina</i> )
	<b>Non AIHTS species</b>
<b>V</b>	Mink
<b>F</b>	Coloured fox

#### 1.5.4. List of certified traps

The competent authority shall regularly release a list of certified traps that includes the manufacturer's name and the name, by species, of the certified products and the corresponding certification identification code.

#### 1.6. CONFIDENTIALITY

Information and documents provided by the applicant shall not be released without its prior consent and shall be kept confidential by all competent authorities.



FUR INSTITUTE OF CANADA  
INSTITUT DE LA FOURRURE  
DU CANADA



## INTERNATIONAL HUMANE TRAPPING STANDARDS COMPLIANCE CERTIFICATE

**THIS CERTIFIES THAT THE FOLLOWING TRAP**  
MEETS THE REQUIREMENTS OF THE INTERNATIONAL HUMANE TRAPPING STANDARDS (\*)

**KILLING TRAP**  or **RESTRAINING TRAP**

NAME OF TRAP:

MANUFACTURER:

CERTIFICATION NUMBER:

TARGET SPECIES:

ISSUANCE DATE:

BY: \_\_\_\_\_

Canadian Competent authority

# Example Only

(\*) BASED ON THE CANADIAN COMPETENT AUTHORITIES TRAP CERTIFICATION PROCEDURES AND PROTOCOL, EFFECTIVE ON THE DATE OF ISSUE.  
ITS VALIDITY MAY HAVE TO BE REASSESSED SHOULD THERE BE CHANGES IN THESE SAME PROCEDURES AND PROTOCOL.



## CHAPTER 2

# KILLING TRAP CERTIFICATION

---

The following procedures and protocol pertain to the terms and implementation of the Agreement on International Humane Trapping Standards, as ratified by Canada in June 1999 and concluded with the European Union and Russia.

This instrument will be used to assess the performance of killing traps and their subsequent certification.

### 2.1. DEFINITIONS

- 2.1.1 Trap:** mechanical device designed to kill an animal of a target species.
- 2.1.2 Killing trapping methods:** traps designed and set with the intention of killing a trapped animal of the target species.
- 2.1.3 Target animal:** a mammal of the species for which the trap system has been set.
- 2.1.4 Capture efficiency:** capability of the trap, as part of a trapping system, to capture target animals.
- 2.1.5 Trap user safety:** capacity of the trap model and/or recommended safety devices to ensure user safety during trap handling and setting.
- 2.1.6 Manufacturer:** producer including inventor or distributor.
- 2.1.7 Reference trap:** a species-specific trap, the performance of which, confirmed by the competent authority, meets the requirements described in items 2.2.1 or 2.2.3.
- 2.1.8 Striking components:** those parts of the trap which contact the animal and deliver the striking and clamping forces.
- 2.1.9 Strike location:** the points of contact where the striking and/or the clamping force of the trap is applied.

### 2.2. REQUIREMENTS

In order to be certified for a target species, a killing trap must meet one of the requirements listed in 2.2.1, 2.2.2, 2.2.3, 2.2.4, 2.2.5 and meet 2.2.6 and/or 2.2.7, if required by the competent authority.

- 2.2.1 After a field or compound test,** at least 80% of the animals from a minimum sample of 12 specimens of the target species are unconscious and insensible after the maximum length of time identified for the target species (item 2.3.1) and remain so until their death (cessation of hearth rate).
- 2.2.2 After a mechanical assessment test,** all the pertinent mechanical values for the test trap meet or exceed those corresponding to their values for a reference trap (item 2.1.7) identified by the competent authority for the target species.
- 2.2.3 After an assessment test based on the use of a computer modeling program** corresponding to the target species as developed by the Alberta Innovates Technology Future and the Fur Institute of Canada, results show that the performance of the test trap meets or exceeds the required threshold(s).
- 2.2.4 After an assessment test based on the use of a scientifically credible method.** This method has to be accepted by all competent authorities. Results show that the performance of the test trap meets or exceeds the required threshold(s).
- 2.2.5 For Marten species** (*Martes americana*, *martes*, *zibellina*); once a trap meets the required threshold(s) for one of these three species, it is considered to meet them for the two other marten species.

**2.2.6 Trap use safety:** the trap must comply with an analysis and assessment of the safety level for the user, performed by the competent authority, based on data collected during the procedure described in item 2.5.2.

**2.2.7 Capture efficiency:** the competent authority may require, if it deems it necessary, that a test be conducted to validate and confirm whether the capture efficiency level of the trap is sufficient. The terms of this test as well as the performance level to be achieved shall be established by the competent authority.

**2.2.8 Retesting:** a trap that does not meet the requirements may be retested only if changes are made to remedy the defects or if used in a different trapping system.

## 2.3. THRESHOLDS

### 2.3.1 Time limits to irreversible loss of corneal and palpebral reflexes by species

Time limits	Species
45 seconds	* <i>Mustela erminea</i> – Weasel, Stoat
120 seconds	* <i>Martes americana</i> - Marten <i>Martes zibellina</i> - Sable <i>Martes martes</i> - Pine marten
300 seconds	* <i>Castor canadensis</i> – Beaver (North American) * <i>Felis rufus</i> – Bobcat * <i>Lutra canadensis</i> - River otter (North American) * <i>Lynx canadensis</i> – Lynx (North American) * <i>Martes pennanti</i> – Fisher * <i>Ondatra zibethicus</i> - Muskrat * <i>Procyon lotor</i> – Raccoon * <i>Taxidea taxus</i> – Badger (North American) * <i>Canis latrans</i> - Coyote * <i>Canis lupus</i> - Wolf <i>Castor fiber</i> – Beaver (European) <i>Lutra lutra</i> – Otter (European) <i>Lynx lynx</i> – Lynx (European) <i>Meles meles</i> - Badger (European) <i>Nyctereutes procyonoides</i> - Raccoon dog

\* *Species found in Canada*

## 2.4. TESTS

### 2.4.1 Test personnel

The test personnel shall be experienced in and, depending on the type of test to be performed, capable of capturing animals of the target species, using the required equipment and compiling and analysing the results. They must also be familiar with the procedure appropriate for the tests being conducted.

### 2.4.2 Tests with live animals

**2.4.2.1 Principle:** the ability of the trap to kill target species animals is assessed by allowing free-ranging animals to approach the test trap in simulated natural conditions. The test can also be performed in the field rather than in natural simulated conditions if it is possible to determine from a distance the time to loss of sensibility or any other appropriate equivalent parameter, which must be demonstrated

to be scientifically credible. Trap tests using live animals must follow the guidelines of the Canadian Council on Animal Care, which require approval of test protocols by an established animal care committee.

- 2.4.2.2 Test room, compound or tank:** The test room, compound or tank shall be of adequate size to allow the animals to move freely. Remote observation of the animal activity shall be possible.
- 2.4.2.3 Traps:** prepare the traps in accordance with the manufacturer's instructions. The preparation might include boiling, waxing, dyeing or painting. Use a different trap of the same tested model for each test animal.
- 2.4.2.4 Video recorder equipped with a time indicator:** to monitor and record the test.
- 2.4.2.5 Test animals:** the animals must be wild. For species for which this is possible, transfer the animals and their nests into the room, compound or tank where the tests will take place and give them at least 24 hours to become accustomed to their new surroundings.
- 2.4.2.6 Procedure:** Set the traps in accordance with the trap manufacturer's instructions. Monitor the animals as they freely approach and enter the traps using a video recorder equipped with a time indicator.

Monitor the loss of sensibility based on the time to loss of corneal and palpebral reflexes then monitor the heart rate until cessation. Record the time taken to loss of sensibility and cessation of heart rate, precise strike location(s) and animal position in the trap.

If time taken to loss of sensibility and heart rate is more than the time limit specified in the Animal Care Committee protocol, euthanize the animal immediately with an appropriate euthanasia agent. In such cases, keep each specimen and perform a post-mortem examination to confirm whether the strike location(s) corresponds with a vital region, i.e., the head (from behind the eyes to the skull to C1 vertebra), the neck, thorax or any combination of the above. The post-mortem examination shall confirm whether the strike location(s) coincide(s) with a vital region.

*Note: The loss of the corneal reflex is measured with the loss of the eye blinking reflex by using an air jet. The loss of the palpebral reflex is measured by the loss of the eye blinking reflex in contact with an object. Other methods could be used to determine the loss of sensibility with the advancement of technology.*

For animals on which a post-mortem examination will be performed, place a waterproof plastic label on the rear leg of each full carcass of euthanized animals, with the following information:

- Date of the test;
- Test trap file number;
- File number of each animal.

Place the individually labelled full carcasses in air-tight plastic bags and freeze them promptly. Firmly attach a second label to the bag, with the same information as the first label. Make sure the carcasses are not damaged during handling and transport. Keep the carcasses frozen until post-mortem and/or radiological examination can be performed.

#### **2.4.2.7 Post-mortem examination**

- 2.4.2.7.1 Principle:** the trap-related injuries and strike locations are determined by a veterinary pathologist using accepted post-mortem veterinary examination practices. He must be experienced in examining species in question when they are captured in traps.
- 2.4.2.7.2 Post-mortem:** perform a post-mortem examination only for each animal corresponding to the specific circumstances described in 2.4.2.6, paragraph 3. Each report must be signed by the

pathologist and include a detailed description of traumas and their respective location. The exact strike location(s) shall be clearly described.

**2.4.2.7.3 Trapping method description:** give a detailed description of the main characteristics and components of the trapping method used. Provide a drawing or picture that gives the detailed positioning of the set components and measurements.

**2.4.3 Mechanical performance test**

**2.4.3.1 Trap Component Measurements:** Using a random sample of 5 traps, establish the following values. They will serve as references to specifically identify and characterize the tested trap model.

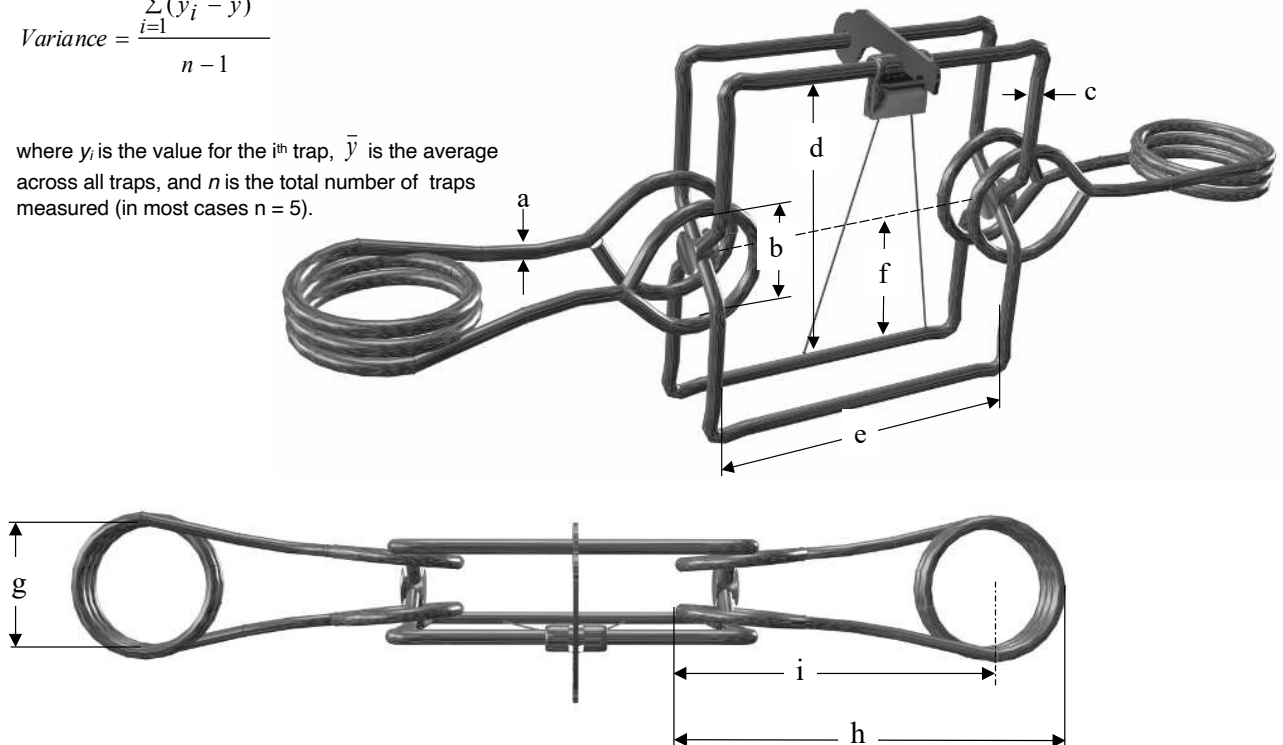
Trap Number	Diameter of spring wire (mm) (a)	Diameter of spring coil when spring set id (mm) (g)	Diameter of spring eye id (mm) (b)	Length of spring (mm) (h)	Length of spring arm (mm) (i)	Diameter of frame wire (mm)		Dimensions of trap window id (mm)		Distance from centre of rotation to centre of striker (mm)	
						Top jaw (c)	Bottom jaw (c)	Height (d)	Width (e)	Top jaw (f)	Bottom jaw (f)
TRAP #1											
TRAP #2											
TRAP #3											
TRAP #4											
TRAP #5											
Average											
Variance											

Note: "id" stands for inner diameter.

In order to reduce the risk of measurement errors and to ensure consistency, it is recommended that each trap component measurement be taken four times on each trap.

$$Variance = \frac{\sum_{i=1}^n (y_i - \bar{y})^2}{n - 1}$$

where  $y_i$  is the value for the  $i^{th}$  trap,  $\bar{y}$  is the average across all traps, and  $n$  is the total number of traps measured (in most cases  $n = 5$ ).



*Note: The above table and trap illustrations are included as examples only. The terminology shown in the headings will change depending on the construction of the specific trap tested.*

*The testing agency is required to provide a Table indicating the precise measurements of each of the components that make up the construction of the specific trap tested. Illustrations of the specific trap tested must be included with the Table and must illustrate the dimension lines that relate to the measurements shown in the Table.*

**2.4.3.2 Preparation of traps:** select five (5) traps for testing. Prior to testing, fire each trap five times on a support that will prevent damage to the striking bars to ensure that all trap components are in working order.

The procedures outlined below apply to rotating-jaw, mousetrap, and planar type killing traps. The testing agency will be required to submit to the competent authority documentation outlining the procedures to be used. The testing agency will also be required to submit a sample mechanical evaluation for a trap provided to it by the competent authority in order to evaluate the accuracy of results. If results are acceptable, the testing agency will be authorized to mechanically evaluate trapping devices for the purpose of trap certification.

**2.4.3.3 Determination of clamping force at various openings:** is achieved using a load cell and an apparatus for securing the striking bar(s) of the trap at a given opening. The load cell measures the force required to hold the striking bar(s) open and the clamping force of the striking bar(s) would apply to an object between two striking bars or under a single striking bar. The apparatus used should be constructed in such a way that the force measured is only the vertical component of the force the striking bar(s) exerts. The clamping force measurements taken from the largest to the smallest opening should be taken after the springs of the trap are gently released and contact the trap frame and again after the trap has been shaken or vibrated. The measurement procedure is repeated three times at each opening from 5mm to 100mm in 5mm and/or 10mm increments and the average of the three firings is recorded. Clamping forces are taken on a random sample of five traps.

**2.4.3.4 Determination of effective mass:** is accomplished by dividing the mass moment of inertia of the trap by the square of the distance between the striking bar and the trap's centre of rotation. The mass moment of inertia can be calculated or found experimentally.

**2.4.3.5 Determination of velocity:** is calculated using acceleration data. Acceleration data is collected from the output of accelerometers, which are ideally mounted on the striking bar(s) of the trap prior to firing. The resultant acceleration data is then integrated once to yield velocity data, and then again, to yield displacement data. The peak velocity of the striking bar(s) during the firing is recorded along with the velocity of the striking bar(s) at critical displacement. Full displacement constitutes the distance the striking bar traveled from the set position to the point at which it strikes a rubber object in the trap. The velocity of the striking bar is related to the velocity of the accelerometer by their respective distances from the centre of rotation. Where applicable, the velocities of the top and bottom striking bars are added together to get the total velocity of the trap. A rubber object with a 30mm diameter is suggested. The velocity measurement is conducted 10 times for each trap in a sample of five.

**2.4.3.6 Calculation of momentum:** of a striking bar is its velocity at a specific displacement multiplied by its effective mass. The total momentum of the trap is the sum of the momentum for each striking bar.

#### **2.4.4 Test using the computer simulation model:**

**2.4.4.1 Principle:** on the basis of specific test trap performance values, use a computer simulation model specific to the target species to assess, for the submitted trap, the percentage of animals of

this species that will have become unconscious and insensible at the end of the time limit stated in item 2.3.1.

*This technology was developed by the Alberta Research Council and the Fur Institute of Canada, which are the exclusive owners of the technology (reference: Hiltz Michelle, Roy Laurence D., Rating traps against Humane Trapping Standards using computer simulation, March 2000). It applies to a limited number of species.*

## 2.5. INSPECTION AND TESTING FOR USER SAFETY OF TRAPS

**2.5.1 Principle:** The ability of the trap design and/or recommended safety device to ensure the safety of user handling and setting the trap is inspected and tested.

### 2.5.2 Procedure:

Inspect five traps of the same design and record the following assessments in the report:

- a) assess whether the user could reasonably extricate himself from the trap unaided;
- b) assess whether, with safety devices in place, a human limb is restricted from access to striking and clamping components of the trap;
- c) inspect whether the striking and clamping forces are set before or after the trap is in the final set position;
- d) apply any integral or accessory safety devices provided with the trap or specified by the manufacturer and fire the trap;
- e) note whether the safety devices can be easily set and released with one hand;
- f) note also whether the striking components remain in cocked position regardless of the trap position; alternatively, if the striking components move out the cocked position, note whether they exert any clamping force;
- g) assess the potential for and likely extent of human injury resulting from accidental discharge of the trap.

## 2.6. MARKING AND INSTRUCTIONS

**2.6.1 Marking:** Traps for sale shall be marked legibly and permanently with the manufacturer's and/or distributor's name, symbol or trademark, and certification identification code.

**2.6.2 Instructions for use:** Instructions for use shall be provided by the manufacturer and/or distributor at the point of sale and they shall also be available directly from them.

They must include instructions for setting the trap in order to target the appropriate strike locations that have been identified for the target species while maintaining its capture efficiency. The instructions must also include instructions for the maintenance, repair and safe use of the trap, as well as its operational limits.

The trap instructions and/or documentation shall indicate clearly which target species the trap is certified for as well as the matching certification identification code.

## 2.7. CONTENTS OF THE ASSESSMENT REPORT

The assessment report to be submitted to the competent authority to determine whether the test trap meets the requirements shall include the following information:

### ***In all cases:***

- the trade name of the test trap;
- the target species;

- the trap manufacturer's or inventor's name and address;
- the name and address of the firm that performed the tests and prepared the report;
- a description and the dimensions of the main characteristics and mechanical components of the test trap ( 2.4.3.1);
- an original copy of the final report signed by the testing firm;
- other information to be determined by the certification competent authority (capture efficiency, safety, etc.)

***For tests performed with live animals. For each animal used:***

- its sex, weight, stage of maturity (adult, juvenile or unknown) and other identified physiological characteristics required to interpret the results;
- the animal's position in the trap and the strike location(s) (2.4.2.6);
- time to loss of corneal and palpebral reflexes, in seconds;
- time to stop of heart beat, in seconds;
- a cumulative table showing the time in seconds to loss of corneal and palpebral reflexes and the position of the strike location in a vital region, for the overall sample and for each individual specimen;
- the original post-mortem report prepared and signed by the veterinary pathologist for each euthanized animal (2.4.2.7.2)
- a description of the components of the trapping method used (2.4.2.7.3).

***For a mechanical assessment test:***

- the mechanical values established for the test trap identified by the competent authority will be used to compare with those of a reference trap (2.2.2) for a target species.

***For the computer simulation model tests:***

- a summary table showing the following mechanical characteristics: velocity, impact momentum, clamping force at the prescribed jaws openings for the target species (2.4.3).
- the percentage value of the trap/animal tests that meet the threshold established in 2.3.1 for the target species.
- optimal strike location(s) specifications

## CHAPTER 3

# RESTRAINING TRAP CERTIFICATION

---

This following procedures and protocol pertain to the terms and implementation of the Agreement on International Humane Trapping Standards, as ratified by Canada in June 1999 and concluded with the European Union and Russia.

This instrument will be used to assess restraining trap performance and thus certification of traps.

### 3.1. DEFINITIONS

- 3.1.1 **Traps:** mechanical devices for the live-capture of target species.
- 3.1.2 **Reference trap:** a species-specific trap, the performance of which, confirmed by the competent authority, meets the requirements described in items 3.2.
- 3.1.3 **Restraining trapping methods:** traps designed and set with the intention of not killing the trapped animal, but restraining its movements to such an extent that a human can make direct contact with it.
- 3.1.4 **Target animal:** a mammal of the species for which the trap system has been set with the intention of capturing it.
- 3.1.5 **Capture efficiency:** capability of the trap, as part of a trapping system, to capture target animals.
- 3.1.6 **Trap user safety:** capacity of the trap model and/or recommended safety devices to ensure user safety during trap handling and setting.
- 3.1.7 **Manufacturer:** producer including inventor or distributor.

### 3.2. REQUIREMENTS

- 3.2.1 **After the field test** described in item 3.5, the post-mortem evaluation as described in item 3.6 and taking into account the specifications provided by the competent authorities, at least 80% of the animals in a minimum sample of 20 specimens of the target species captured with the test trap must not sustain any of the indicators listed in item 3.3.
- 3.2.2 **For live capture cage traps after a trap components assessment test,** all the pertinent mechanical components characteristics are evaluated to produce an equal or better injury indicators result, than a reference trap (3.1.2) identified by the competent authority for the target species (see 3.7).
- 3.2.3 **After an examination of mechanical components,** all the defined and required species specific criteria specified in 3.7 are respected by the trap model under testing.
- 3.2.4 **Trap use safety:** the trap must comply with an analysis and assessment of the safety level for the user, carried out by the competent authority, and based on the data collected during the procedure described in item 3.7.
- 3.2.5 **Capture efficiency:** the competent authority may require, if it deems it necessary, that a test be conducted to validate and confirm that the capture efficiency level of the trap is sufficient. The procedures for this test and the performance level to be achieved shall be prescribed by the competent authority.
- 3.2.6 **After an assessment test based on the use of a scientifically credible method.** This method has to be accepted by all competent authorities. Results show that the performance of the test trap meets or exceeds the required threshold(s)
- 3.2.7 **Retesting:** a restraining trap design that does not meet the requirements may be retested only if changes are made to remedy the deficiencies found or if used in a different trapping system.



### 3.3. INDICATORS

- self-directed biting leading to severe injury (self-mutilation) (observed in the field and during the post-mortem examination);
- excessive immobility (observed in the field);
- death (observed in the field);
- fracture;
- joint luxation proximal to the carpus or tarsus;
- severance of a tendon or ligament;
- major periosteal abrasion;
- severe external haemorrhage or haemorrhage in an internal cavity;
- major skeletal muscle degeneration;
- limb ischemia;
- fracture of a permanent tooth exposing pulp cavity;
- ocular damage including corneal laceration;
- spinal cord injury;
- severe internal organ damage;
- myocardial degeneration;
- amputation.

### 3.4. TRAP COMPONENT MEASUREMENTS

Using a sample of 5 traps, establish values in the following table. They will serve as references to specifically identify and characterize the tested trap model.

Trap Number	Diameter of spring wire (mm)		Diameter of spring coil od (mm)		# Of coils on each spring		Dimensions of jaw (mm)		Lamination thickness (mm)		Offset width (mm) (i)	Dimensions of trap window id (mm)				Distance between rotation centres (mm) (n)	Distance from centre of rotation to centre of striker (mm)	
	Large springs (a)	Small springs (b)	Large springs (c)	Small springs (d)	Large springs	Small springs	Width (e)	Thickness (f)	Top (g)	Bottom (h)		Outer height (j)	Outer width (k)	Inner height (l)	Inner width (m)		Trigger side (o)	Other side (p)
TRAP # 1																		
TRAP # 2																		
TRAP # 3																		
TRAP # 4																		
TRAP # 5																		
Average																		
Variance																		

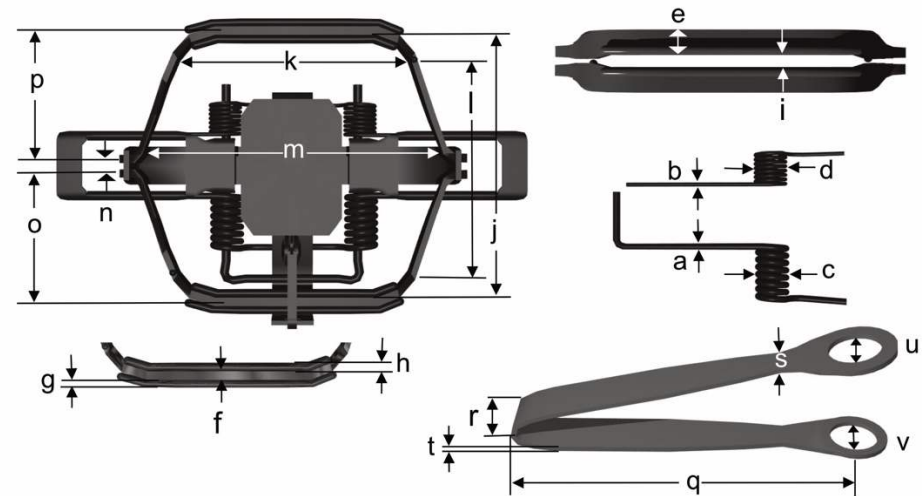
Trap Number	Length of long spring (mm) (q)	Width of long spring (mm)		Spring thickness (mm) (t)	Diameter of spring eye id (mm)	
		Outside (r)	Inside (s)		Top (u)	Bottom (v)
TRAP # 1						
TRAP # 2						
TRAP # 3						
TRAP # 4						
TRAP # 5						
Average						
Variance						

Note: "id" stands for inner dimension, "od" stands for outer dimension.

$$Variance = \frac{\sum_{i=1}^n (y_i - \bar{y})^2}{n - 1}$$

where  $y_i$  is the value for the  $i^{th}$  trap,  $\bar{y}$  is the average across all traps, and  $n$  is the total number of traps measured (in most cases  $n = 5$ ).

In order to reduce the risk of measurement errors and to ensure consistency, it is recommended that each trap component measurement be taken four times on each trap.



Note: The above table and trap illustrations are included as examples only. The terminology shown in the headings will change depending on the construction of the specific trap tested. The testing agency is required to provide a Table indicating the precise measurements of each of the components that make up the construction of the specific trap tested. Illustrations of the specific trap tested must be included with the Table and must illustrate the dimension lines that relate to the measurements shown in the Table.

### 3.5. FIELD TESTING

- 3.5.1 Principles:** the effects of the restraint on the target animals by the trap is evaluated in the field. This test is also used to collect data on user safety (item 3.7) and on capture efficiency, as appropriate.
- 3.5.2 Test personnel:** the test personnel shall be experienced, capable of trapping the target animals and familiar with the operation of the trap being tested. They must also have a knowledge of the working equipment and procedure.
- 3.5.3 Trap preparation:** prior to testing, prepare the traps in accordance with the manufacturer's instructions. The preparation might include boiling, waxing, dyeing or painting.
- 3.5.4 Procedure:** establish the trapline and record on a map the location of the study area. Set the traps in accordance with the manufacturer's instructions. Use exactly the same method from one trap set to the next. Take photographs of a few trapping sites once the trap is set to reflect the environment as well as the type of trapping site and habitat.

Check the traps daily (once each 24-hour period) during the test period.

To avoid any injury caused by the approach of the test personnel, euthanize all captured target animals immediately using a method of euthanasia that will not obscure any traumas caused by the trap. Take photographs of each trapped animal in its immediate environment and, if needed, a close-up showing the trap positioned on the limb, with a label that shows the file number of the animal. Remove the animals from the traps.

Examine the captured non-target animals externally to evaluate whether they are likely to survive upon release without any treatment. Euthanize any captured non-target animals that are too severely injured for release. Record the method of euthanasia used. Provide adequate veterinary care for other injured non-target animals.

Record all the required information on the enclosed forms (Annexes 1, 2) when checking each trap.

Attach a plastic label near the neck on each full carcass of euthanized target animals captured with test traps, with the following information, using a waterproof ink marker:

- date of capture;
- file number of each animal and trap.

Place the labelled carcasses in individual air-tight plastic bags and freeze them promptly;

Firmly attach a second label to the plastic bag with the same information as on the first label;

Make sure that the carcasses are not damaged during transport and handling;

Keep the carcasses frozen in a manner that does not dehydrate tissues until a post-mortem examination can be performed.

- 3.5.5 Trapping method Description:** give a detailed description of the main characteristics and components (position of trap, anchoring system, etc.) of the trapping method used. Provide a drawing or photograph that gives the detailed positioning of the set components and measurements.

### 3.6. POST-MORTEM EVALUATION OF TRAPPED ANIMALS

- 3.6.1 Principle:** the trap-related injuries on animals trapped during testing (see item 3.3) are determined by a veterinary pathologist using accepted post-mortem veterinary examination practices. He must be experienced in the examination of the species in question when captured with traps.

**3.6.2 Post-mortem evaluation:** perform the post-mortem examination taking into account the specifications to be provided by the competent authority and prepare the post-mortem report (Annex 3) for each animal.

As a general principle, it is considered imperative that in the recording of necropsy data, the pathologist must provide, for each observation, a detailed description and extent of any injury, area affected and to specify measurements as applicable.

It is imperative for interpreting test results that necropsy and field observations and notes demonstrate with certainty that they correspond precisely with the listed injury. Also, it is essential that such observations state whether any injury is directly attributable to the trapping device or to the trapping event.

Necropsy observations that are not identical to the defined injuries listed on the post-mortem report (Annex 3) must not be recorded in that section, but placed in either the sections for “non-listed tested trap or trapping event related injuries” or for “injuries non-related to the tested trap or trapping event”. Copies of the capture data forms related to each animal, without reference to the name of the trap, will be provided to the pathologist for reference (item 3.5.4).

### 3.7 AIHTS RATING BASED ON COMPARISON OF MECHANICAL CHARACTERISTICS

Principle: Based on the main and specific mechanical characteristics of already AIHTS certified traps of identical limb holding live capture trap models and designs for a particular species the tested traps must meet all following criteria and descriptions using a random sample of 5 traps of the tested trap model. These values and characteristics will be used to specifically identify and characterize the tested trap model.

*Trap models that don't correspond to all of these criteria (species and trap type) will still have to be tested along the field capture/ necropsy assessment protocol (see 3.2.1).*

#### **Applicable for wolf (*Canis lupus*) jaw leghold restraining (live capture) trap models.**

##### Padded Jaws type:

- Mounted with a center swivel on the base bar
- All edges must be rounded
- Presence of a pan tension adjustment
- "Padding" material must cover full length of the portion of the jaws between the two spring lever arms when trap closed.
- Minimum jaw thickness: 10 mm. The thickness is only measured on the inside flat surface (must be smooth and with rounded edges) that make contact with the limb. Only the flat part measure is taken into account not the rounded edges.
- Measurement of straight vertical line between top of pan trigger to inner side of jaw (dog side) when trap closed: between 69 mm and 100 mm.
- Spring lever arms: the part exceeding jaw when trap closed should not have a shape or action that could anchored the trap and prevent swiveling action of the trap.
- Clamping force at 15 mm opening (central point of jaws): from 38,3 lbs to 94 lbs
- Evaluation of quality of padding material in order to provide a jaw resistant surface of contact with the leg of the captured animal preventing skin lacerations.
- Other mechanical characteristics that could cause potential AIHTS injuries will also be considered

##### Non-Padded (Steel, teflon) jaws type

- Mounted with a center swivel on the base bar
- All edges must be rounded
- Presence of a pan tension adjustment

- If offset jaws; the inside distance between the two jaws (closed position) must be at most 11 mm. Offset jaws portion must cover full length of the portion of the jaws between the two spring lever arms when trap closed.
- If laminated jaws: laminations must cover full length of the portion of the jaws between the two spring lever arms when trap closed.
- Minimum jaw thickness: 12 mm. The thickness is measured on the inside flat surface (must be smooth and with rounded edges) that make contact with the limb. Only the flat part measure is taken into account not the rounded edges.
- Measurement of straight vertical line between top of pan trigger to inner side of jaw (dog side) when trap closed: between 69 mm and 100 mm.
- Spring lever arms: the part exceeding jaw when trap closed should not have a shape or action that could anchored the trap and prevent swivelling action of the trap.
- Range of clamping force at 15 mm opening (central point of jaws): 50 lbs to 93 lbs
- Other mechanical characteristics that could cause potential AIHTS injuries will also be considered.

**Applicable for coyote (*Canis latrans*) jaw leghold restraining (live capture) trap models.**

Padded Jaws type:

- Mounted with a center swivel on the base bar
- All edges must be rounded
- Presence of a pan tension adjustment
- "Padding" material must cover full length of the portion of the jaws between the two spring lever arms when trap closed.
- Minimum jaw thickness: 10 mm. The thickness is only measured on the inside flat surface (must be smooth and with rounded edges) that make contact with the limb. Only the flat part measure is taken into account not the rounded edges.
- Measurement of straight vertical line between top of pan trigger to inner side of jaw (dog side) when trap closed: between 57 mm and 69 mm.
- Spring lever arms: the part exceeding jaw when trap closed should not have a shape or action that could anchored the trap and prevent swiveling action of the trap.
- Clamping force at 10 mm opening: between 12.2 kg (27 lbs) and 43.5 kg (96 lbs).
- Evaluation of quality of padding material in order to provide a jaw resistant surface of contact with the leg of the captured animal preventing skin lacerations.
- Other mechanical characteristics that could cause potential AIHTS injuries will also be considered

Non-Padded (Steel, teflon) jaws type

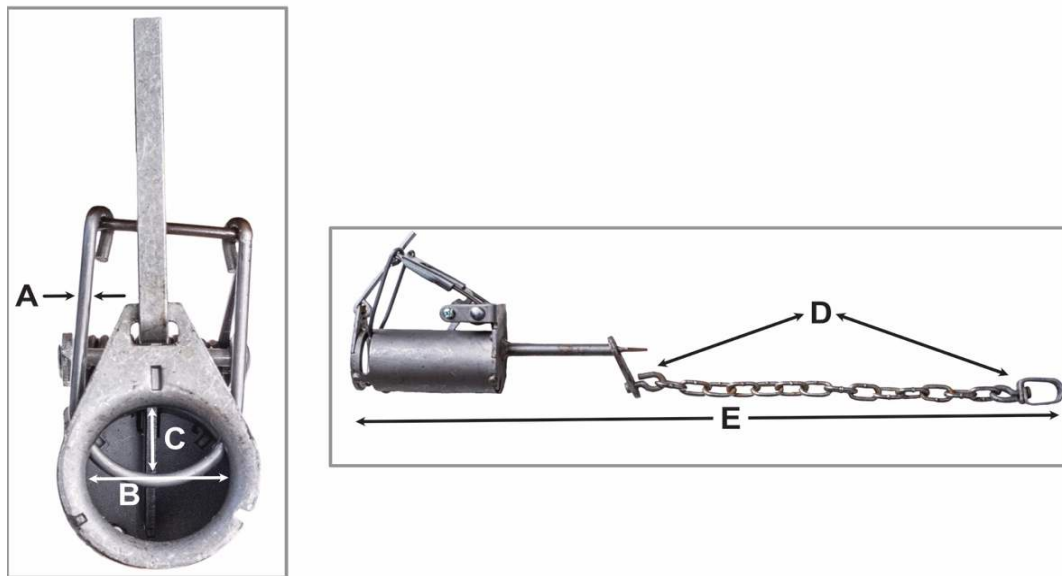
- Mounted with a center swivel on the base bar
- All edges must be rounded
- Presence of a pan tension adjustment
- If offset jaws; the inside distance between the two jaws (closed position) must be at most 7 mm. Offset jaws portion must cover full length of the portion of the jaws between the two spring lever arms when trap closed.
- If laminated jaws: laminations must cover full length of the portion of the jaws between the two spring lever arms when trap closed.
- Minimum jaw thickness: 15 mm. The thickness is measured on the inside flat surface (must be smooth and with rounded edges) that make contact with the limb. Only the flat part measure is taken into account not the rounded edges.
- Measurement of straight vertical line between top of pan trigger to inner side of jaw (dog side) when trap closed: between 57 mm and 74 mm.
- Spring lever arms: the part exceeding jaw when trap closed should not have a shape or action that could anchored the trap and prevent swivelling action of the trap.

- Clamping force at 10 mm opening (central point of jaws); between 27.2 kg (60 lbs) and 38.6 kg (85 lbs).
- Other mechanical characteristics that could cause potential AIHTS injuries will also be evaluated.

**Applicable to raccoon (*Procyon lotor*) restraining live capture trap models.**

Foot encapsulating traps

- A trap portion must completely cover the raccoon captured foot to eliminate all possibilities of self-mutilation above the striking location.
- Diameter of the striking bar must be at least 3.2 mm (OR between 3,2 and 4 mm). *See A on illustration.*
- Diameter of the front opening: between 31mm and 41 mm. *See B on illustration.*
- Width of the flat striking surface: over 5.6 mm.
- Distance between the sticking bar and the trigger bottom tig when in its firing (release) position: between 24mm and 45 mm.
- Presence of at least two swivels on anchoring system between the trap and anchoring point. *See D on illustration.*
- Clamping force at 10 mm opening (distance between middle of striking bar to compression surface): between 22 to 40 lbs. *See C on illustration*
- Total length of anchoring system (chain or cable), i.e., distance between trap opening and anchoring last link to solid anchoring point must not exceed 335 mm. *See E on illustration.*



Live capture cages

- Minimum dimensions:
  - A-Length: 32 inches (813 mm)
  - B-Width: 10 inches (254 mm)
  - C-Height: 10 inches (254 mm)
- Contention space: D-Floor length of at least 26 inches (660 mm)
- E-Measurement between side of the door and the closer cage side: must not exceed ½ inch (12.7 mm)
- Other mechanical characteristics that could cause potential AIHTS injuries will also be evaluated (eg. Trigger configuration, others).

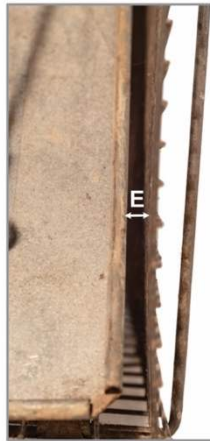
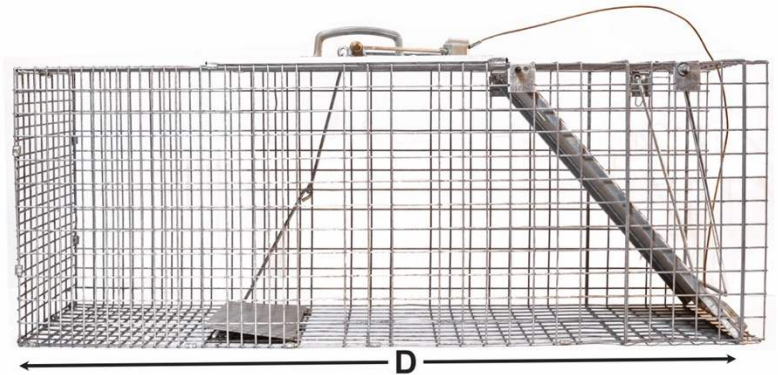
For wire mesh types

- The wire mesh size must be at least 14 gauge.

- Mesh dimensions:
- Door: 1 X ½ inch (25.4 mm X 12.7 mm) up to 1 X 2 inch (25.4 mm X 50.8 mm)

For “box” cage types

- This type of trap has a closed contention space (eg. Dura-Poly)
- Criteria A, B, C, D, E described above are applied to this type of cage trap.



### 3.8 INSPECTION AND TESTING FOR USER SAFETY OF TRAPS

**3.8.1 Principle:** The ability of the trap design and/or recommended safety devices to ensure the safety of users handling and setting the trap are inspected and tested. This information on user safety is recorded during the field test (item 3.5).

**3.8.2 Procedure:**

Record the following assessments in the report:

- assess whether the user could reasonably extricate himself from the trap unaided;
- assess whether, with safety devices in place, a human limb is restricted from access to striking and clamping components of the trap;

- c) inspect whether the striking and clamping forces are set before or after the trap is in the final set position;
- d) apply any integral or accessory safety devices provided with the trap or specified by the manufacturer and fire the trap;
- e) note whether the safety devices can be easily set and released with one hand;
- f) note also whether the striking components remain in a cocked position regardless of the trap position; alternatively, if the striking components move out of the cocked position, note whether they exert any clamping force;
- g) assess the potential for and likely extent of human injury resulting from accidental discharge of the trap.

### 3.9. MARKING AND INSTRUCTIONS

**Marking:** Traps for sale shall be marked legibly and permanently with the manufacturer's and/or distributor's name, symbol or trademark, and certification identification code.

**Instructions for use:** Instructions for use shall be provided by the manufacturer and/or distributor at the point of sale and they shall also be available directly from them.

The instructions for use shall include a detailed description (including drawings and/or photographs) of the trapping method (item 3.5.5) in which the trap was tested and approved and also instructions for maintenance, service, safe operation of the trap mechanism, and any limitations on the operation of the trap.

The instructions and/or trap literature provided shall clearly indicate the target species for which the trap is certified as well as the corresponding certification identification code.

### 3.10. CONTENT OF THE ASSESSMENT REPORT

The assessment report that will be submitted to the competent authority to assess whether the tested trap meets the requirements shall contain the following information:

- The trade name of the tested trap;
- The target species;
- The manufacturer's or inventor's name and address;
- The name and address of the company that performed the field testing;
- The name and address of the company that performed the post-mortem examination;
- A map of the study area;
- The trap component measurements table (item 3.4) and a description of the trapping method used (item 3.5.5);
- A description of the methodology used to conduct the field test;
- Photographs of each target species animal captured with the trap (item 3.5.4);
- All the originals of the data sheets (Annexes 1, 2 and 3) signed by the personnel who completed them;
- A cumulative table showing the presence of the indicators listed in item 3.3, for the overall sample and for each individual specimen;
- Other information to be determined by the certification competent authority (capture efficiency, safety, etc.).







**ANNEX 2  
CAPTURE DATA SHEET**

Species:	Trap No:	Trap Type:	Trapline :

**GENERAL**

Date (Y/M/D) : \_\_\_\_ / \_\_\_\_ / \_\_\_\_      Technician : \_\_\_\_\_

Photos no(s): \_\_\_\_\_

**ANIMAL IDENTIFICATION**

Sex:		Age:			Weight :
Male	Female	Adult	Juvenile	Unknown	_____ KG

→      **TAG NUMBER :**      /

Reference   /   Animal sequence number

**ANIMAL CONDITION**

Animal Alive:	YES	NO		
External Bleeding	YES	NO		
Behavior	Responsive	Partially Responsive	Unresponsive	Dead
Signs of Struggling:	Light	Moderate	Severe	
Self Mutilation:	YES	NO		

**Describe or comments:** \_\_\_\_\_

\_\_\_\_\_

**Signs of predation:** (including injuries caused by other wolves)

\_\_\_\_\_

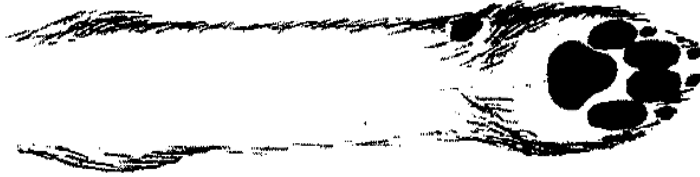
\_\_\_\_\_

**TRAP EFFECT**

**Leg Trapped :**      RF      LF      RH      LH

**Position of Trap on Leg:** (draw on diagram)

Below foot pad (toes)      On foot pad      Wrist      Leg



**Freezing:**    YES      NO

**Extent of Freezing (Comments):**

---

---

---

**Distance between Trap Jaws:**      Side 1: \_\_\_\_\_ Side 1: \_\_\_\_\_ N/A

**Noticeable Injuries:** (Including injuries not related to trapping)

---

---

---

**Pelt Damage caused by Trapping:**      YES      NO

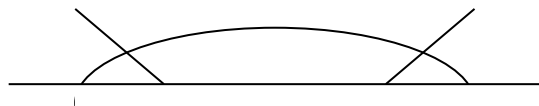
**Describe:**

---

---

**Location of Foot in Trap (draw):**

**TRAP SET:** Drag \_\_\_\_\_ or Stake \_\_\_\_\_



Distance between trapped animal and trap set site (drag): \_\_\_\_\_(m)

<b>Cover:</b>	GOOD		FAIR		NONE	
<b>Spring 1:</b>	FREE		PARTIALLY FREE		HUNG-UP	
<b>Swivel 1:</b>	FREE		PARTIALLY FREE		HUNG-UP	
<b>Swivel 2:</b>	FREE		PARTIALLY FREE		HUNG-UP	
<b>Swivel 3:</b>	FREE		PARTIALLY FREE		HUNG-UP	
<b>Swivel 4:</b>	FREE		PARTIALLY FREE		HUNG-UP	

**Details of capture site:**

---

---

**Other comments :**

---

---

---

### ANNEX 3

### RESTRAINING TRAP NECROPSY SUMMARY SHEET *JUNE 2015*

Necropsied by: _____		DATE : _____	ID #: _____
Leg	RF	LF	RH LH
Captured	<input type="checkbox"/>	<input type="checkbox"/>	<input type="checkbox"/> <input type="checkbox"/>
Age: AD		JV	
<input type="checkbox"/>		<input type="checkbox"/>	
Sex: M		F	
<input type="checkbox"/>		<input type="checkbox"/>	
Species : _____			Weight (kg) : _____
Body Condition: Poor <input type="checkbox"/> Fair <input type="checkbox"/> Moderate <input type="checkbox"/> Very Good <input type="checkbox"/> Excellent <input type="checkbox"/>			

	INJURY DESCRIPTION	Trap Event related	Trap related	COMMENTS/NOTES
1	Claw Loss			
2	Edematous Swelling or Hemorrhage			
3	Minor Cutaneous Laceration			
4	Minor Subcutaneous Soft Tissue Maceration or Erosion			
5	Major Cutaneous Laceration Except on Foot Pads or Tongue			
6	Minor Periosteal Abrasion			
7	Severance of Minor Tendon or Ligament			
8	Amputation of 1 Digit			
9	Permanent Tooth Fracture Exposing Pulp Cavity			
10	Major Subcutaneous Soft Tissue Maceration or Erosion			
11	Major Laceration on Foot Pads or Tongue			
12	Severe Joint Hemorrhage			
13	Joint Luxation Distal to Carpus or Tarsus			

Continued ...

	<b>INJURY DESCRIPTION</b>	<b>Trap Event related</b>	<b>Trap related</b>	<b>COMMENTS/ NOTES</b>
14	Major Periosteal Abrasion			
15	Simple Rib Fracture			
16	Eye Lacerations			
17	Minor Skeletal Muscle Degeneration			
18	Simple Fracture Distal to the Carpus or Tarsus			
19	Compression Fracture			
20	Comminuted Rib Fracture			
21	Amputation of 2 Digits			
22	Major Skeletal Muscle Degeneration			
23	Limb Ischemia			
24	Amputation of Three or More Digits			
25	Any Fracture or Joint Luxation on Limb Proximal to the Carpus or Tarsus			
26	Any Amputation Above Digits			
27	Spinal Cord Injury			
28	Severe Internal Organ Damage (Internal bleeding)			
29	Compound or Comminuted Fracture at or Distal to the Carpus or Tarsus			
30	Severance of Major Tendon or Ligament			

Continued ...

	INJURY DESCRIPTION	Trap Event related	Trap related	COMMENTS/ NOTES
31	Compound Rib Fracture			
32	Ocular Injury Resulting in Blindness of an Eye			
33	Myocardial Degeneration			
34	Death (Field Observation)			
35	Severe External Hemorrhage or Hemorrhage into an Internal Cavity			
36	Any other fracture			
37	Self Mutilation			

Note: Injuries noted have been caused without any doubt by and during the trapping circumstances.

Signature of Pathologist: \_\_\_\_\_

Date of necropsy: \_\_\_\_\_

Description of *non listed* tested trap or trapping event related injuries:

---



---

Description of injuries *non related* to the tested trap or trapping event:

---



---

Additional Comments:

---



---



---



TRAP: \_\_\_\_\_  
 DATE: \_\_\_\_\_

SPECIES: \_\_\_\_\_  
 LOCATION: \_\_\_\_\_

Summary XX Pass out of XX xxxxx: Meets AIHTS (%) for xxxxx

INJURY CATEGORY		CGSB RATING	ANIMAL NUMBER																			
			1	2	3	4	5	6	7	8	9	10	11	12	13	14	15	16	17	18	19	20
1	Claw Loss	Mild																				
2	Edematous Swelling or Hemorrhage	Mild																				
3	Minor Cutaneous Laceration	Mild																				
4	Minor Subcutaneous Soft Tissue Maceration or Erosion	Mild																				
5	Major Cutaneous Laceration Except on Foot Pads or Tongue	Mild																				
6	Minor Periosteal Abrasion	Moderate																				
7	Severance of Minor Tendon or Ligament	Moderate																				
8	Amputation of 1 Digit	Moderate																				
9	Permanent Tooth Fracture Exposing Pulp Cavity	Moderate																				
10	Major Subcutaneous Soft Tissue Maceration or Erosion	Moderate																				
11	Major Laceration on Foot Pads or Tongue	Moderate																				
12	Severe Joint Hemorrhage	Moderate																				
13	Joint Luxation Distal to Carpus or Tarsus	Moderate																				
14	Major Periosteal Abrasion	Moderate																				
15	Simple Rib Fracture	Moderate																				
16	Eye Lacerations	Moderate																				
17	Minor Skeletal Muscle Degeneration	Moderate																				
18	Simple Fracture Distal to the Carpus or Tarsus	Moderately Severe																				
19	Compression Fracture	Moderately Severe																				
20	Comminuted Rib Fracture	Moderately Severe																				
21	Amputation of 2 Digits	Moderately Severe																				
22	Major Skeletal Muscle Degeneration	Moderately Severe																				
23	Limb Ischemia	Moderately Severe																				
24	Amputation of Three or More Digits	Severe																				
25	Any Fracture or Joint Luxation on Limb Proximal to the Carpus or Tarsus	Severe																				
26	Any Amputation Above Digits	Severe																				
27	Spinal Cord Injury	Severe																				
28	Severe Internal Organ Damage (Internal bleeding)	Severe																				
29	Compound or Comminuted Fracture at or Below the Carpus or Tarsus	Severe																				
30	Severance of Major Tendon or Ligament	Severe																				
31	Compound Rib Fracture	Severe																				
32	Ocular Injury Resulting in Blindness of an Eye	Severe																				
33	Myocardial Degeneration	Severe																				
34	Death (Field observation)																					
35	Severe External Hemorrhage or Hemorrhage into an Internal Cavity	Severe																				
36	Any Other Fracture																					
37	Self Mutilation	Severe																				
38	Excessive immobility and unresponsiveness (Field Observation)	Severe																				
		<b>AIHTS Rating: P=Pass, F=Fail</b>																				

Note: Injury categories shaded are failing injuries according to the Agreement on International Humane Trapping Standards (AIHTS, 1997).

## **ANNEX 4**

### **CANADIAN PROVINCIAL AND TERRITORIAL COMPETENT AUTHORITIES**

#### **BRITISH COLUMBIA Ministry of Forests, Lands and Natural Resource Operations**

Regulation and Policy Analyst  
Wildlife and Habitat Branch  
Ministry of Forests, Lands, Natural Resource Operations and Rural Development  
PO Box 9374 Stn Prov Gov  
Victoria BC V8W 9M4  
Phone: (778) 698-9112  
Fax: (250) 387-0239  
E: [stephen.maciver@gov.bc.ca](mailto:stephen.maciver@gov.bc.ca)

#### **ALBERTA Department of Sustainable Resource Development**

Commercial Wildlife and Priority Species  
Fish and Wildlife Policy Branch  
Alberta Environment and Sustainable Resources Development  
9920 108 Street, Edmonton, AB T5K 2M4  
Phone: 780-644-4646  
Fax: 780-422-9557  
Email: [dave.kay@gov.ab.ca](mailto:dave.kay@gov.ab.ca)

#### **SASKATCHEWAN Ministry of Environment**

Fish and Wildlife Branch  
Ministry of Environment  
102-112 Research Drive  
Saskatoon, SK S7N 3R3  
Phone: (306) 527-6185  
E-mail [travis.williams@gov.sk.ca](mailto:travis.williams@gov.sk.ca)

#### **MANITOBA Department of Conservation and Water Stewardship**

Furbearer Manager  
Furbearer and Human Wildlife Conflict Management Unit  
Wildlife and Fisheries Branch  
Manitoba Conservation and Water Stewardship  
Box 24, 200 Saulteaux Crescent  
Winnipeg MB R3J 3W3  
Phone: (204) 945-7775  
Fax: (204) 945-3077  
E-mail: [dean.berezanski@gov.mb.ca](mailto:dean.berezanski@gov.mb.ca)

**ONTARIO Ministry of Natural Resources and Forestry**

Senior Biologist  
Fish and Wildlife Policy Branch  
Ontario Ministry of Natural Resources and Forestry  
300 Water St  
Peterborough ON K9J 8M5  
Phone: (705) 772-7225  
Fax:(705) 755 2901  
E-mail: [aaron.walpole@ontario.ca](mailto:aaron.walpole@ontario.ca)

**QUÉBEC Ministère de l'Environnement, de la Lutte aux changements climatiques, de la Faune et des Parcs**

Emmanuel Dalpé-Charron  
Biologiste et coordonnateur provincial  
Gestion des animaux à fourrure, commerce, piégeage et baux de droits exclusifs de piégeage  
Direction de la faune terrestre et de l'avifaune  
Direction générale de l'expertise sur la faune et ses habitats  
Faune Québec  
Ministère de l'Environnement, de la Lutte aux changements climatiques, de la Faune et des Parcs  
880, chemin Sainte-Foy, 2e étage  
Québec (Québec) G1S 4X4  
Téléphone : (819) 246-4827 poste 701992  
Télécopieur : (418) 646-5147  
Courriel: [emmanuel.dalpe-charron@mffp.gouv.qc.ca](mailto:emmanuel.dalpe-charron@mffp.gouv.qc.ca)

**NEW BRUNSWICK Department of Natural Resources and Energy**

Furbearer Management Biologist / Biologiste des animaux à fourrure  
Big Game, Furbearer, and Fisheries Section / Section des gros gibiers, animaux à fourrure et des pêches sportives  
Fish & Wildlife Branch / Direction du poisson et de la faune  
Natural Resources Division / Division des ressources naturelles  
P.O Box 6000  
Fredericton, NB E3C 2G6  
Ph: (506) 457-6938  
Fax: (506) 453-6699  
Email: [jonathan.cormier@gnb.ca](mailto:jonathan.cormier@gnb.ca)

**NOVA SCOTIA Department of Natural Resources**

Manager Sustainable Wildlife Use  
Wildlife Division  
Department of Natural Resources  
136 Exhibition Street  
Kentville NS B4N 4E5  
Phone: (902) 679-6091  
Fax: (902) 679-6176  
E-mail: [glen.parsons@novascotia.ca](mailto:glen.parsons@novascotia.ca)

**PRINCE EDWARD ISLAND Department of Environment, Energy and Climate Action**

Wildlife Biologist  
Forests, Fish and Wildlife Division  
Box 2000 183 Upton Road  
Charlottetown PE C1A 7N8  
Phone:(902) 569-7595  
Fax: (902) 368-4713  
E-mail: [ggregory@gov.pe.ca](mailto:ggregory@gov.pe.ca)

**NEWFOUNDLAND AND LABRADOR Department of Fisheries, Forestry and Agriculture**

Wildlife Division  
Department of Fisheries , Forestry and Agriculture  
PO Box 2007, 192 Wheeler's Road  
Corner Brook NL A2H 7S1  
Phone: (709) 637-2025  
Fax: (709) 637-2099  
E-mail: [brucerodrigues@gov.nl.ca](mailto:brucerodrigues@gov.nl.ca)

**NUNAVUT Department of Sustainable Development**

Manager, Fur Programs  
Nunavut Wildlife Service  
Department of Sustainable Development  
Box 1000 Station 21170  
Iqaluit NU X0A 0H0  
Phone: (867) 975-5902  
Fax: (867) 975-5980  
E-mail: [satkinson@gov.nu.ca](mailto:satkinson@gov.nu.ca)

**NORTHWEST TERRITORIES Department of Environment and Climate Change**

Sustainable Livelihoods and Traditional Knowledge  
3<sup>rd</sup> Floor, Scotia Building  
5102-50<sup>th</sup> Avenue  
P.O. Box 1320  
Yellowknife NT X1A 3S8  
Phone: (867) 611-3877 (FURS)  
E-mail: [ontheland@gov.nt.ca](mailto:ontheland@gov.nt.ca)

**YUKON Department of Environment**

Director, Fish & Wildlife  
Environment Yukon V-5A  
Yukon Government  
Box 2703  
Whitehorse, Yukon Y1A 2C6  
Phone:867-393-6386  
Fax: 867-393-6405  
Email: [marc.cattet@gov.yk.ca](mailto:marc.cattet@gov.yk.ca)